

Overview

GE 116 Series hazardous location strobes are in-rush current limited life safety signaling appliances designed for installation in hazardous environments. Rigid specifications and state-of-the-art technology provide for high visual output and low maintenance.

When pendant, wall or ceiling mounted, these devices meet or exceed the requirements of *UL 1971 Signaling Appliance for the Hearing Impaired*. Stanchion mount models are UL 1638 Listed for private mode emergency signaling. All models are CSFM Listed.

116 Series strobes are intended for indoor use in UL listed compatible fire alarm systems and other applications requiring electrical supervision of notification appliance circuit field wiring. Strobes flash a 360-degree beam of light approximately 65 times per minute with a UL 1971 60 cd wall and ceiling light output rating. In Canada, these devices are listed to *ULC-S526-02 Visible Signal Device for Fire Alarm Systems*, suitable for indoor and outdoor applications.

When assembled with an available mounting option, 116 Series strobes are UL Listed for use in Class I, Division 1, Groups C and D, Class I, Division 2, Groups A, B, C and D, Class II Division 1, Group E, F and G, Class II, Division 2, Group F and G, and Class III Division 1 and 2 hazardous locations. This strobe is UL and cUL Listed as a Type 3R and 4X enclosure.

The strobe flash from multiple 116DEGEX-FJ models may be synchronized to meet UL 1971 requirements with an external synchronization source. See the application section for more information. 116DEXSTC-FJ models are unsynchronized.

Standard Features

- UL 1971 listed and ADA compliant for the hearing impaired
- 116DEGEX-FJ models meet UL 1971 synchronization requirements with an external synchronization source
- UL Listed for use in Class I, Division 1, Groups C and D, Class I, Division 2, Groups A, B, C and D, Class II Division 1, Group E, F and G, Class II, Division 2, Group F and G, and Class III Division 1 and 2 hazardous locations.
- Approved for fire alarm applications
- Bracket, ceiling or pendant mount
- Stanchion mount available for private mode signaling
- Diode polarized for use in electronically supervised circuits
- High impact glass dome
- 65 flashes per minute
- 60cd output classification
- Factory sealed - no external seals required
- Quick connect - threads onto mounting module for easy installation
- Shock absorbing receptacle
- Easy to assemble and relamp
- Epoxy powder coat finish for corrosion resistance
- ULC-S526-02 listed for indoor and outdoor applications

Hazardous Location Strobes

116DEXSTC-FJ, 116DEGEX-FJ



Application

116 Series hazardous location strobes are designed for use in compatible GE Security fire alarm systems and other applications requiring electrical supervision of notification appliance circuit field wiring.

These strobes are suitable for many locations including mines, granaries, flour mills, tankers, refineries, laboratories and other applications where environmental hazards may be present. They are particularly well-suited in areas of high noise levels where standard bells or horns are not satisfactory, and are suitable for indoor or outdoor applications. However, the UL 1971 rating is for indoor applications only.

When pendant, wall, or ceiling mounted, 116 Series strobes are ULC-S526-02 listed for indoor and outdoor applications and UL 1971 Listed (ADA compliant) for indoor visual signaling applications in non-sleeping areas. Stanchion mounted strobes are UL 1638 listed for private mode emergency signaling only. Stanchion mounting is not ULC-S526-02 listed as a visible signal device for fire alarm systems.

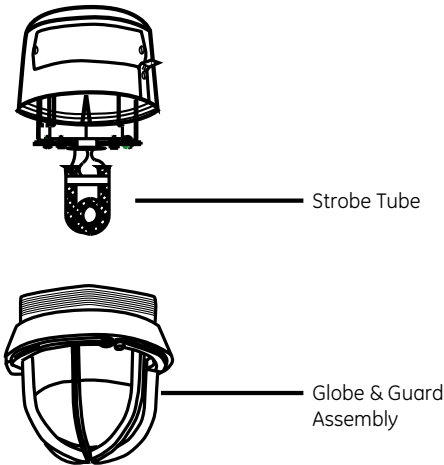
Synchronization

Flashes from multiple strobes installed within the same line-of-sight should be synchronized. This is important in order to avoid epileptic sensitivity.

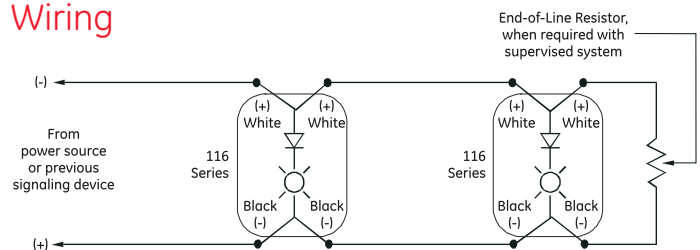
116DEGEX-FJ models employ advanced GE Genesis technology, and like all Genesis strobes, exceed UL synchronization requirements (within 10 milliseconds over a two-hour period) when used with a synchronization source. Compatible synchronization sources include dedicated modules, as well as Genesis-enabled power supplies and control panels.

Assembly

116DEXSTC-FJ signals come pre-assembled, but come apart easily for cleaning and relamping.



Wiring



Notes:

1. DC Polarity of circuit shown in supervisory state (signal inactive). Circuit polarity to reverse to activate signal
2. Electrical supervision requires wire run to be broken at each device.
3. Device for constant input voltage. Do not connect to "coded" or pulsating voltage.
4. For non-fire alarm use, i.e.: without field wire supervision, the installer can tie the two white leads together and tie the two black leads together.

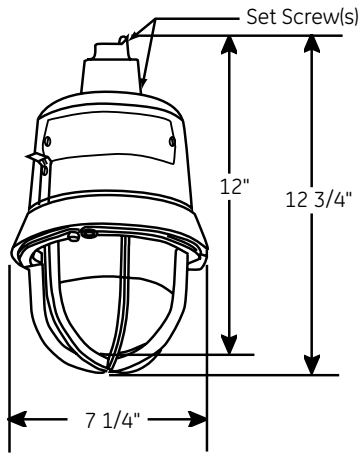
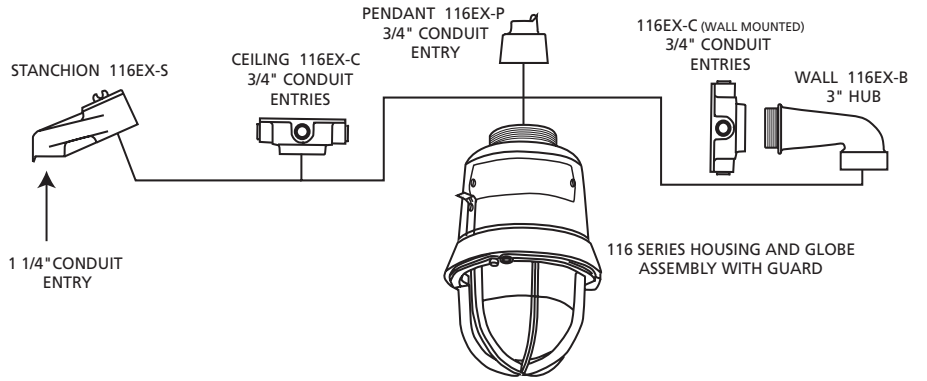
Hazardous Location Listings

Operating Temperature					
Ambient Temperature	Supply Wire Temperature Marking	Class I, Div. 2 Groups A, B	Class I, Div. 1 & 2 Groups C, D	Class II, Div. 1 Groups E, F, G, & Class III	Class II, Div. 2 Groups F, G, & Class III
104 °F (40 °C)	167 °F (75 °C)	T2D: 419 °F (215 °C)	T6: 185 °F (85 °C)	T4A: 248 °F (120 °C)	T4A: 248 °F (120 °C)
131 °F (55 °C)	194 °F (90 °C)	T2C: 446 °F (230 °C)	T6: 185 °F (85 °C)	T4: 275 °F (135 °C)	T4: 275 °F (135 °C)
149 °F (65 °C)	221 °F (105 °C)	T2C: 446 °F (230 °C)	T6: 185 °F (85 °C)	T3C: 275 °F (160 °C)	T3C: 275 °F (135 °C)

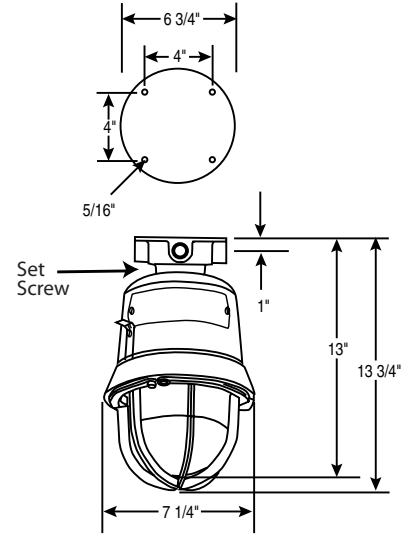
Mounting

Thanks to their modular design, 116 Series strobes configure for pendant, ceiling, wall, or stanchion mounting. See the ordering information table for available mounting modules.

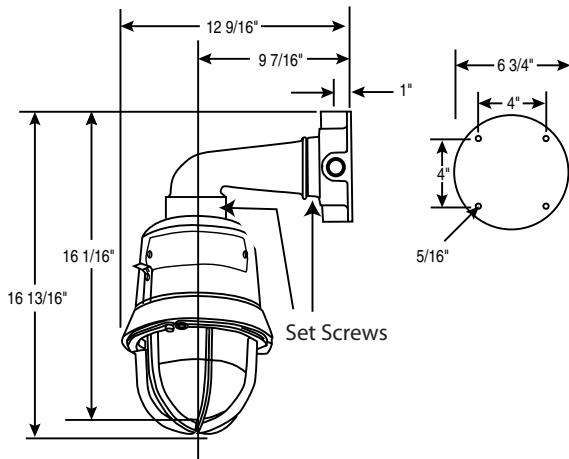
Note: Stanchion mounting option is not listed to UL 1971 or ULC-S526-02.



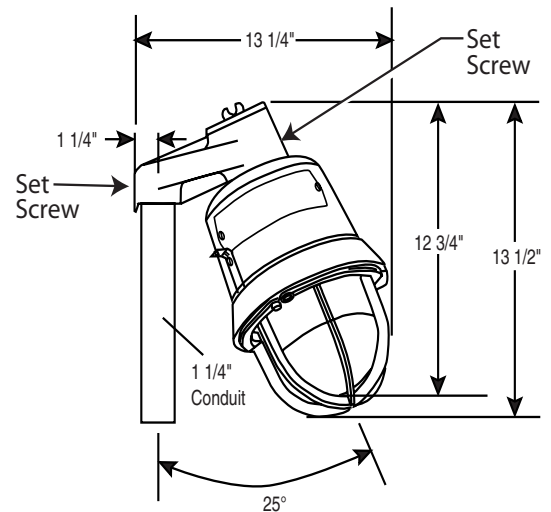
Pendant Mount



Ceiling Mount



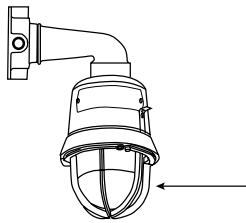
Wall Mount



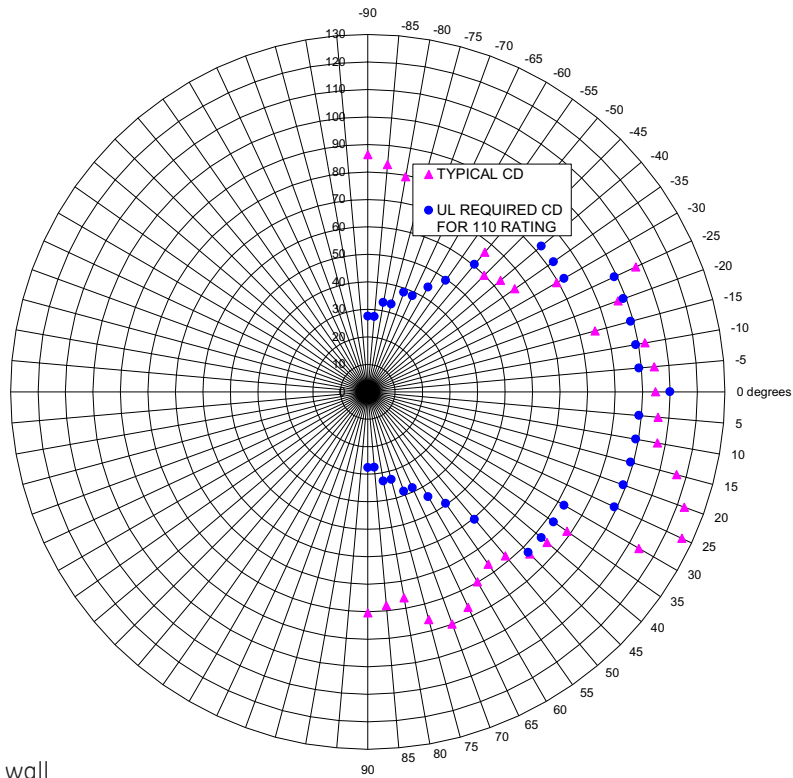
Stanchion Mount
(for private mode signaling,
not listed to UL UXWC and ULC-S526-02)

Light Output

WALL BRACKET MOUNTING	UL1971 REQUIRED DISPERSION AS % OF CD RATING	
ANGLE (DEGREES)	VERTICAL PLANE	HORIZONTAL PLANE
zero	100%	100%
5	90%	90%
10	90%	90%
15	90%	90%
20	90%	90%
25	90%	90%
30	90%	75%
35	65%	75%
40	46%	75%
45	34%	75%
50	27%	55%
55	22%	45%
60	18%	40%
65	16%	35%
70	15%	35%
75	13%	30%
80	12%	30%
85	12%	25%
90	12%	25%
Compound 45		24%

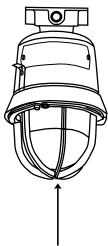


Effective Candela Light Output for Wall Bracket Mount
Vertical Plane
(Zero degree angle at side of globe)

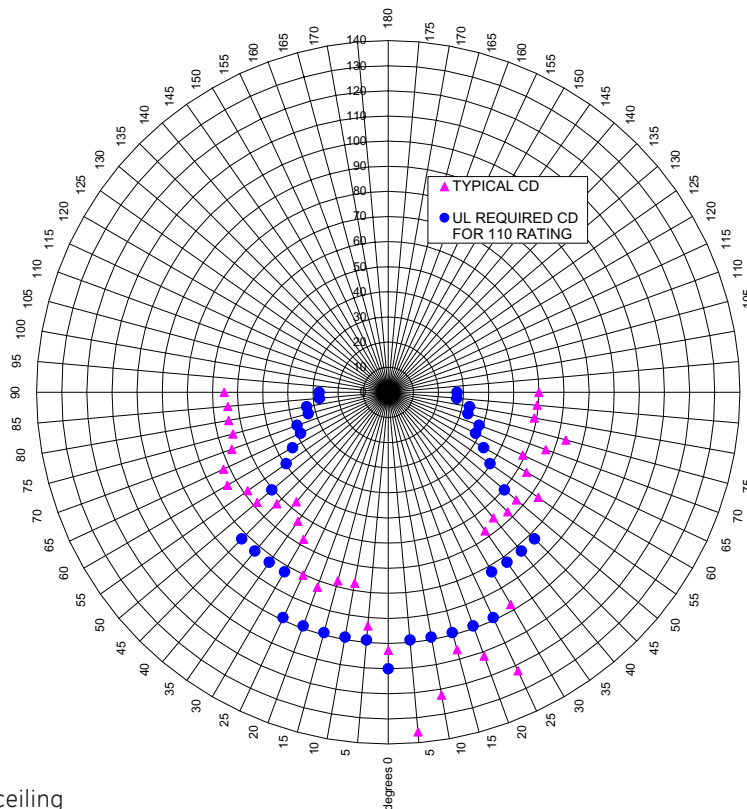


UL 1971 Hearing Impaired: 60 cd wall

CEILING MOUNTING	UL1971 REQUIRED X & Y PLANE DISPERSION AS % OF CD RATING
ANGLE (DEGREES)	
0	100%
5	90%
10	90%
15	90%
20	90%
25	90%
30	75%
35	75%
40	75%
45	75%
50	55%
55	45%
60	40%
65	35%
70	35%
75	30%
80	30%
85	25%
90	25%
Compound 45	24%



Effective Candela Light Output for Ceiling Mount
X & Y Planes
(Zero degree angle at bottom of of globe)



UL 1971 Hearing Impaired: 60 cd ceiling

Specifications

	116DEXSTC-FJ	116DEGEX-FJ
Mounting	Pendant, ceiling, wall, or stanchion	
Rated strobe intensity	UL 1971(indoor) and ULC-S526-02 (indoor & outdoor): 60 cd	
Flash Rate	65 fps	
Agency Listings	UL, ULC, CSFM	
UL Listed Hazardous Classifications	UL Listed for Class I, Division 1 Groups C & D, Division 2, Groups A, B, C & D; Class II, Division 1, Groups E, F & G, Division 2, Groups F & G, and Class III Divisions 1 & 2	
ADA Compliance (pendant, ceiling, and wall applications*)	UL 1971 listed signaling appliance for the hearing impaired. Indoor, non-sleeping areas only.	
Synchronization Sources	N/A	Module: EG1M-RM; Power Supplies: EBPS6A, EBPS10A; Panels: FX-10, FX-5, FX-3, FX-254, FX-64.
NEMA Ratings	Type 3R, Type 4X, UL/ULC listed	
Voltage Range	16 - 33 Vdc	
Operating Current (RMS)	0.774 @ 24 Vdc (regulated) 1.140 @ 24 VFWR (regulated)	0.505 @ 24 Vdc (regulated) 0.520 @ 24 FWR (regulated)
Operating Temperature	UL: -31 to 150° F (-35° C to 65° C). ULC: -40 to 150° F (-40° C to 66° C)	
Lens Color	Clear polycarbonate	
Strobe Type	Xenon – clear/nominal white flash	
Finish	Gray powder coat epoxy	
Weight	18 lbs (8.2 kg)	

* Stanchion mounted 116DEXSTC-FJ strobes are UL 1638 listed for private mode signaling. They are not listed to UL 1971 or ULC-S526-02.

Ordering Information

Model	Description	Ship Wt.
116DEXSTC-FJ	Explosionproof Strobe, Diode Polarized	18 lbs 8.2 kg
116EX-B	Wall bracket mounting elbow	
116EX-C	Ceiling/wall mounting module	
116EX-P	Pendant mounting module - ¾" (19 mm) NPT	
116EX-S	Stanchion mounting module - 1-1/4" (25 mm) NPT	
116-GRD	Lens Guard	
116-GLOBE	Replacement Globe	
92 -ST	Replacement Strobe Tube	
Synchronization Modules		
EG1M-RM	Signal Master – Remote Mount (1-gang)	0.2 (0.1)

GE Security

U.S.
T 888-GESECURITY
F 503-691-7566

Canada
T 519 376 2430
F 519 376 7258

Asia
T 852 2907 8108
F 852 2142 5063

Australia
T +61 3 9239 1200
F +61 3 9239 1299

Europe
T 32 2 725 11 20
F 32 2 721 86 13

Latin America
T 305 593 4301
F 305 593 4300

www.gesecurity.com/fireworx

© 2009 General Electric Company
All Rights Reserved



imagination at work