

Overview

Genesis ceiling strobes are small, compact, and attractive visible emergency signaling devices. Protruding no more than 1.6" (41 mm) from the ceiling, Genesis strobes blend with any decor.

Thanks to patented breakthrough technology, GE Security Genesis strobes do not require bulky specular reflectors and lenses. Instead, an exclusive cavity design conditions light to produce a highly controlled distribution pattern. Significant development efforts employing this new technology have given rise to a new benchmark in strobe performance – FullLight technology.

FullLight strobe technology produces a smooth light distribution pattern without the spikes and voids characteristic of specular reflectors. This ensures the entire coverage area receives consistent illumination from the strobe flash. As a result, Genesis strobes with FullLight technology go well beyond the minimum UL-required "cross" pattern, significantly exceeding UL-1971 and ULC-S526 light distribution requirements.

Depending on the model, Genesis ceiling strobes feature 15 to 95, or 95 to 177 candela output (see ordering information), which is selectable with a conveniently-located switch. The candela output setting remains clearly visible even after final installation, yet it is locked in place to prevent unauthorized movement after installation.

Genesis strobes feature textured housings in architecturally neutral white or eye-catching fire alarm red. An ingenious iconographic symbol indicates the purpose of the device. This universal symbol is code-compliant and is easily recognized by all building occupants regardless of what language they speak. Models with "FIRE" markings are also available.

Field Configurable Ceiling Strobes

Genesis Series



Standard Features

- **Field configurable – no need to remove the device!**
 - 15/30/75/95 cd and 95/115/150/177 cd models available
 - Switch settings remain visible even after the unit is installed
- **Unique low-profile design**
 - 30 per cent slimmer profile than comparable signals
 - Attractive appearance
 - No visible mounting screws
 - Available with white or red housings
- **Easy to install**
 - Fits all standard 4" square electrical boxes with plenty of room behind the signal for extra wire – no extension ring or trim plate needed
 - #18 to #12 AWG terminals – ideal for long runs or existing wiring
- **Unparalleled performance**
 - Exclusive FullLight strobe technology produces the industry's most even light distribution
 - Precision timing electronics meet tough synchronizing standards for strobes
 - Low current draw minimizes system overhead
 - Highly regulated in-rush current allows the maximum number of strobes on a circuit
- **Approved for public and private mode applications**
 - UL 1971-listed as signaling devices for the hearing impaired
 - UL 1638-listed as protective visual signaling appliances
 - UL/ULC listed for ceiling or wall use



One or more patents pending.



Application

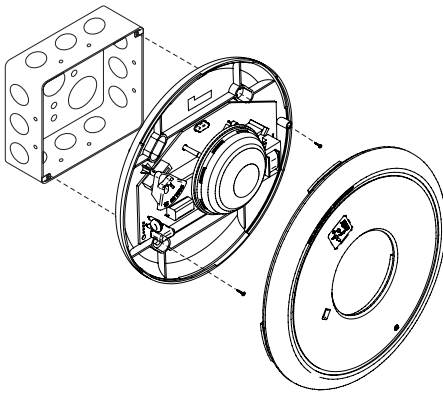
Genesis strobes are UL 1971-listed for use indoors as wall- or ceiling-mounted public-mode notification appliances for the hearing impaired. Prevailing codes require strobes to be used where ambient noise conditions exceed specified levels, where occupants use hearing protection, and in areas of public accommodation. Consult with your Authority Having Jurisdiction for details.

All Genesis strobes exceed UL synchronization requirements (within 10 milliseconds other over a two-hour period) when used with a synchronization source. Synchronization is important in order to avoid epileptic sensitivity.

Installation

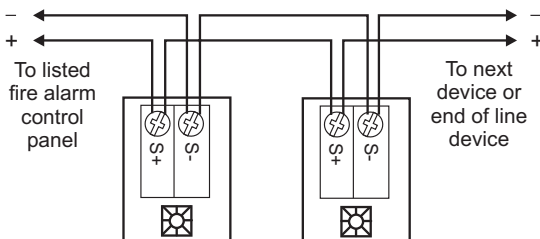
All models are intended for indoor applications only. Strobes mount to any flush North-American 4" square electrical box, 2¹/₈" (54 mm) deep.

Genesis ceiling strobes simply unlatch and twist to open. This gains access to mounting screws and the selectable candela switch. The shallow depth of Genesis devices leaves ample room behind the signal for extra wiring. Once installed with the cover in place, no mounting screws are visible.

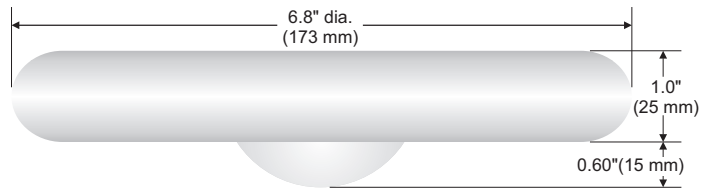


Wiring

Field wiring terminals accommodate #18 to #12 AWG (0.75 mm² to 2.5 mm²) wiring. Strobes are interconnected with a single pair of wires as shown below.

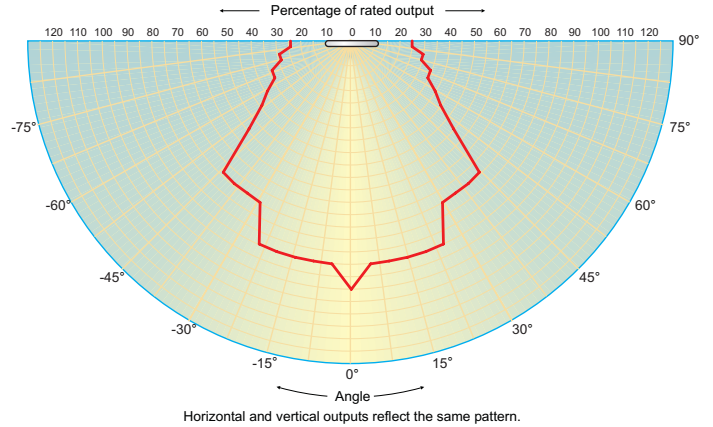


Dimensions



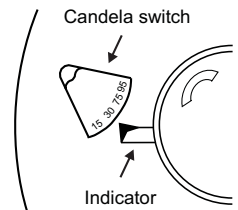
Light output (effective cd)

Percent of UL rating versus angle



Field Configuration

Depending on the model, Genesis ceiling strobes may be set for 15 to 95, or 95 to 177 candela output (see ordering information). The output setting is changed by simply opening the device and sliding the switch to the desired setting. The strobe does not have to be removed to change the output setting. The setting remains visible through a small window on the front of the device after the cover is closed.



WARNING: These devices will not operate without electrical power. As fires frequently cause power interruptions, we suggest you discuss further safeguards with your local fire protection specialist.

These visible signal appliances' flash intensity may not be adequate to alert or awaken occupants in the protected area. Research indicates that the intensity of strobe needed to awaken 90% of sleeping persons is approximately 100 cd. GE Security recommends that strobes in sleeping rooms be 110 cd minimum.

Current Draw

| UL Rating | 15 cd RMS | 30 cd RMS | 75 cd RMS | 95 cd RMS |
|-----------|--------------|--------------|--------------|--------------|
| 16 Vdc | 109 | 151 | 281 | 318 |
| 16 Vfwr | 131 | 194 | 379 | 437 |

| 95 cd RMS | 115 cd RMS | 150 cd RMS | 177 cd RMS |
|--------------|---------------|---------------|---------------|
| 330 | 392 | 502 | 565 |
| 432 | 518 | 643 | 693 |

| Typical Current | 15 cd | | 30 cd | | 75 cd | | 95 cd | |
|-----------------|-------|------|-------|------|-------|------|-------|------|
| | RMS | Mean | RMS | Mean | RMS | Mean | RMS | Mean |
| 16 Vdc | 94 | 87 | 140 | 135 | 273 | 268 | 325 | 323 |
| 20 Vdc | 74 | 68 | 108 | 105 | 205 | 203 | 244 | 242 |
| 24 Vdc | 63 | 59 | 90 | 88 | 168 | 166 | 194 | 192 |
| 33 Vdc | 48 | 46 | 70 | 68 | 124 | 123 | 139 | 138 |
| 16 Vfwr | 126 | 67 | 187 | 108 | 368 | 231 | 403 | 260 |
| 20 Vfwr | 108 | 54 | 156 | 84 | 281 | 168 | 333 | 199 |
| 24 Vfwr | 97 | 47 | 139 | 71 | 240 | 135 | 270 | 156 |
| 33 Vfwr | 89 | 39 | 119 | 56 | 197 | 100 | 214 | 111 |

| 95 cd | | 115 cd | | 150 cd | | 177 cd | |
|-------|------|--------|------|--------|------|--------|------|
| RMS | Mean | RMS | Mean | RMS | Mean | RMS | Mean |
| 333 | 330 | 392 | 390 | 499 | 496 | 551 | 545 |
| 259 | 257 | 303 | 301 | 378 | 375 | 429 | 426 |
| 212 | 210 | 245 | 243 | 306 | 304 | 342 | 340 |
| 155 | 153 | 180 | 174 | 211 | 209 | 236 | 234 |
| 484 | 283 | 570 | 339 | 673 | 411 | 724 | 446 |
| 380 | 212 | 438 | 248 | 537 | 312 | 604 | 352 |
| 318 | 172 | 361 | 198 | 434 | 243 | 484 | 273 |
| 245 | 123 | 269 | 137 | 308 | 160 | 338 | 176 |

Notes and Comments

- Current values are shown in mA.
- UL nameplate rating is higher than typical current due to measurement methods and instruments used.
- GE Security recommends using the typical current for system design including NAC and Power Supply loading and voltage drop calculations.
- Use the Vdc RMS current ratings for filtered power supply and battery AH calculations. Use the Vfwr RMS current ratings for unfiltered power supply calculations.
- Fuses, circuit breakers and other overcurrent protection devices are typically rated for current in RMS values. Most of these devices operate based upon the heating affect of the current flowing through the device. The RMS current (not the mean current) determines the heating affect and therefore, the trip and hold threshold for those devices.
- Our industry has used 'mean' currents over the years. However, UL will direct the industry to use the 2004 RMS values in the future.

Specifications

| | |
|---------------------------|--|
| Housing | Textured UV stabilized, color impregnated engineered plastic. Exceeds 94V-0 UL flammability rating. Red and white models available. |
| Lens | Optical grade polycarbonate (clear). |
| Mounting | Flush mount to North American 4-inch square electrical box, 2-1/8 (54 mm) inches deep. No extension ring required. Suitable for indoor wall or ceiling applications. |
| Wire Connections | Screw terminals: #18 to #12 AWG (0.75 mm ² to 2.5 mm ²) wire size. |
| Operating Voltage | Regulated 16 to 33 Vdc, 16 to 33 Vfwr. |
| Operating environment | Indoor: 32-120° F (0-49° C) ambient temperature; 0-93% relative humidity. |
| Agency listings/approvals | Meets or exceeds year 2004 UL requirements for standards UL1638 and UL1971 and Canadian requirements for standards CAN/ULC S526-02 and CAN/ULC S524-01. All models comply with ADA Code of Federal Regulation Chapter 28 Part 36 Final Rule. CSFM, MEA. FM pending. |
| Strobe output rating | UL 1971, UL 1638, ULC S526: selectable 15/30/75/95 cd (EGC-VM) and 95/115/150/177 cd (EGC-VMH) |
| Strobe operating voltage | EGC-VM series strobes: non-coded, filtered 16-33 Vdc or unfiltered 16-33 Vdc FWR. |
| Strobe flash rate | EGC-VM series strobes: one flash per second synchronized with optional EG1M Genesis Signal Master indefinitely within 10 milliseconds (or self-synchronized within 200 milliseconds over thirty minutes on a common circuit without EG1M Genesis Signal Master). Temporal setting (private mode only): synchronized to temporal output of Genesis audible signals on same circuit. |
| Synchronization | Meets or exceeds UL 1971 requirements. Maximum allowed resistance between any two devices is 20 Ohms. Refer to specifications for the synchronization control module, this strobe, and the control panel to determine allowed wire resistance. |
| Synchronization Sources | Module: EG1M-RM; Power Supplies: EBPS6A, EBPS10A; Panels: FX-10, FX-5, FX-3, FX-254, FX-64. |

GE Security

U.S.
T 888-GESECURITY
F 503-691-7566

Canada
T 519 376 2430
F 519 376 7258

Asia
T 852 2907 8108
F 852 2142 5063

Latin America
T 305 593 4301
F 305 593 4300

www.gesecurity.com/fireworx

© 2009 General Electric Company
All Rights Reserved.

Genesis Series is a trademark of GE Security.

Ordering Information

| Catalog Number | Housing Color | Marking | Description | Ship Wt. lbs (kg) |
|----------------|---------------|---------|---|-------------------|
| EGC-VM | White | None | Genesis Ceiling/Wall Strobe (selectable 15, 30, 75, or 95 cd output) | 1.8 (0.82) |
| EGCF-VM | White | "FIRE" | | |
| EGCFR-VM | Red | "FIRE" | Genesis Ceiling/Wall Strobe (selectable 95, 115, 150, or 177 cd output) | 1.8 (0.82) |
| EGC-VMH | White | None | | |
| EGCF-VMH | White | "FIRE" | | |

| Accessories | | | | |
|-------------|---|--|--|-----------|
| EG1M-RM | Genesis Signal Master - Remote Mount (1-gang) | | | 0.2 (0.1) |



White Field Configurable Ceiling Strobes may be ordered with or without optional 'FIRE' marking. Red Strobes come with 'FIRE' marking.



imagination at work