

Overview

430D series of hazardous location bells are diode-polarized, heavy duty fire bells for use in life safety applications where a diode supervised signal is required.

Hazardous location bells are available with 6-inch (152 mm), 8-inch (203 mm) or 10 inch (254mm) gongs, for either 120 Vac or 24 Vdc operation. They can be mounted to any solid surface using two 3/8 inch (10 mm) bolts and the supplied mounting brackets or to a rigid conduit. The integral explosion-proof housing is mechanically terminated to accept a standard 3/4-inch -14 National Pipe Taper (NPT) nipple.

Standard Features

- Diode polarized
- 6", 8", and 10" gong sizes
- Low power drain for efficient operation over long wire runs
- Completely assembled

Application

430D series of hazardous location bells are UL-listed for installation in the following classified locations:

- Class I groups B, C and D
- Class II groups E, F and G
- Class III hazardous locations, for Div. 1 and 2

Hazardous Location Bells

439DEX-AW



U.S.
T 888-GESECURITY
F 503-691-7566

Canada
T 519 376 2430
F 519 376 7258

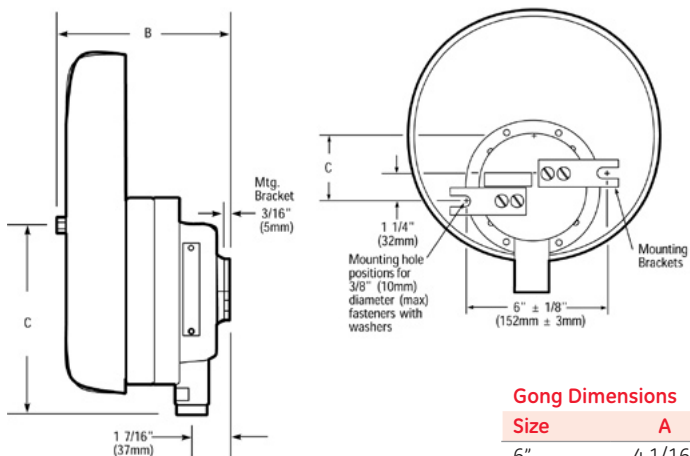
Asia
T 852 2907 8108
F 852 2142 5063

Latin America
T 305 593 4301
F 305 593 4300

www.gesecurity.com/fireworx

© 2009 General Electric Company
All Rights Reserved

Mounting



Gong Dimensions

Size	A	B	C
6" (152mm)	4 1/16" (103mm)	4 13/16" (122mm)	5/8" (16mm)
8" (203mm)	5 1/16" (129mm)	5 1/4" (133mm)	1 5/8" (41mm)
10" (245mm)	6 1/16" (154mm)	5 3/8" (137mm)	2 5/8" (67mm)

Specifications

	438DEX-xN5	439DEX-xAW
Rated Voltage	120 Vac	24 Vdc
Alarm Current	.041A (RMS)	0.24A
Sound output	83 dBA measured in an anechoic chamber on an "A" weighted decibel scale at 10 ft (3m)	

Ordering Information

Catalog Number	Description	Ship Wt. lb. (kg.)
439DEX-6AW-R	6" (152 mm) Hazardous Location Bell - 24 Vdc	8 (3.6)
439DEX-8AW-R	8" (203 mm) Hazardous Location Bell - 24 Vdc	10 (4.5)
439DEX-10AW-R	10" (254 mm) Hazardous Location Bell - 24 Vdc	12 (5.4)



imagination at work